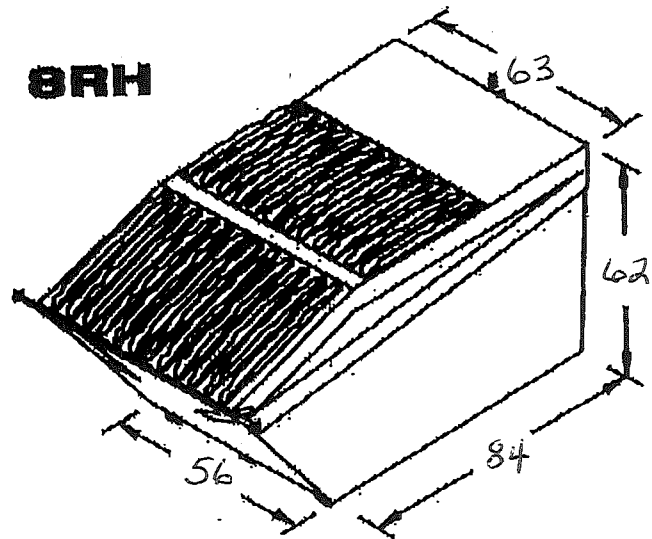


**8RH**



**8 RLP**

